

IOVU-07F-AD

7" RISC-based Panel PC

New



Features

- 7" LED Backlight Color Active Matrix TFT
- Projected Capacitive Touchscreen
- Freescale™ i.MX6 Cortex™-A9 Quad-Core (1.0GHz) CPU
- Android 4.2 OS
- One 10/100/1000Mbps Ethernet
- Optional Wi-Fi+BT, Camera
- CAN 2.0b, 4 x DIO (configurable by software)



Specifications

| Model | IOVU-07F-AD | |
|-----------------|-----------------------|---|
| Display | LCD Size | 7" TFT LCD |
| | Max. Resolution | 1024(W) x 600(H) WSVGA |
| | Brightness (cd/m²) | 350 cd/m² |
| | Viewing Angle | 75/75/70/75 Deg. |
| | Touch Screen | Projected capacitive |
| System | CPU | Freescale™ i.MX6 Cortex™-A9 quad-core 1.0GHz |
| | Operating System | Android 4.2 |
| | Memory | 1GB DDR3 SDRAM |
| | Boot Flash | 4GB eMMC iNAND |
| Communication | Wireless LAN | Wi-Fi 802.11b/g/n (optional) |
| | Bluetooth | Bluetooth Class 4.0 + HS (optional) |
| Data Collection | CAN | Can 2.0b |
| | Camera | 2-megapixel CMOS front camera (optional) |
| I/O Interface | USB | 2 x USB 2.0 |
| | LAN | 1 x 10/100/1000 Mbps |
| | RS-232 | 1 x RS-232/422/485 supports software configurable (DB-9) 1 x RS-232 full-function (DB-9) |
| | DIO | 4 x DIO |
| | Audio | 1 x 1.5W speaker |
| Environment | Operating Temperature | 0°C ~ 50°C |
| | Storage Temperature | -10°C ~ 60°C |
| | Humidity | 5%~90%, non-condensing |

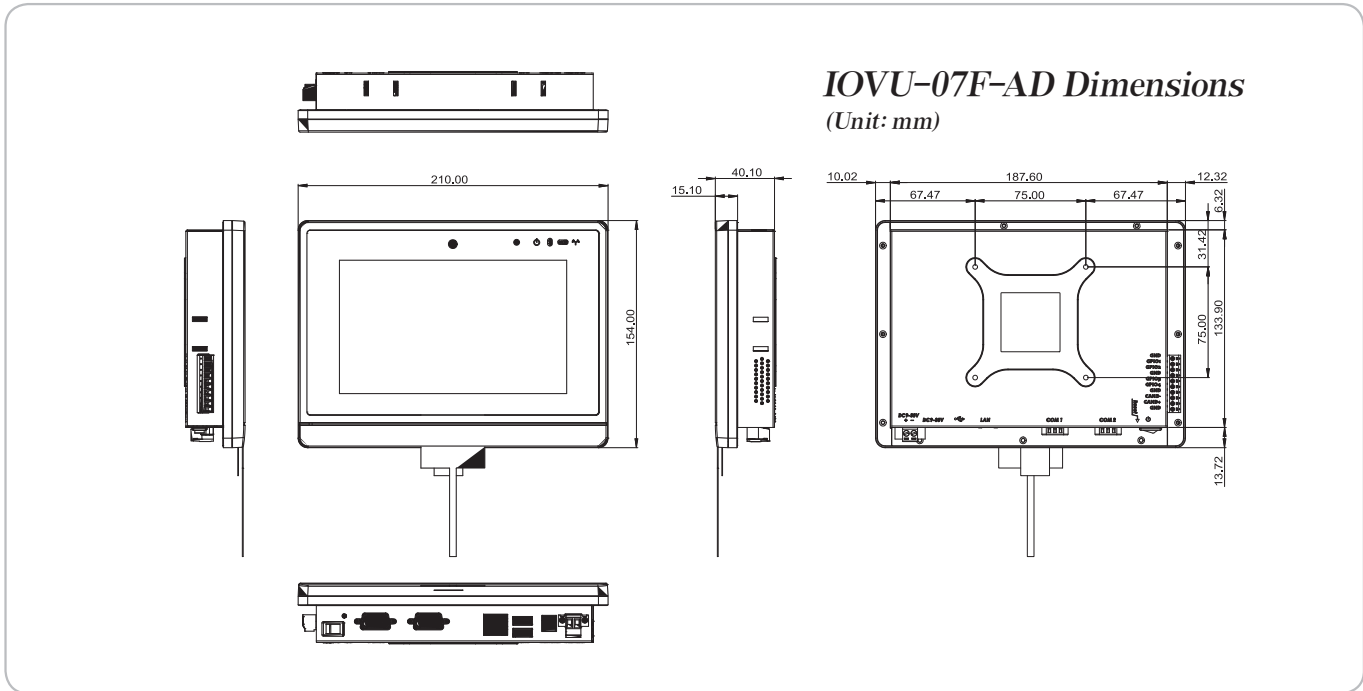


1
iEiMobile Solutions

2
Automation Panel Solutions

3
PACsmate Medical Solutions

4
Optional Peripherals



IOVU-07F-AD Dimensions
(Unit: mm)

Options

| Part No. | Description |
|-----------------------|---|
| AFLPK-12 | Panel mounting kit |
| AFLWK-12 | VESA 75 wall mounting kit |
| ARM-11-RS | LCD monitor / PPC arm kit, loading capacity from 3 kg ~ 7 kg |
| STAND-A08-RS | LCD monitor / PPC stand kit for VESA 75 and supports up to 5 kg |
| VSTAND-A07 | LCD monitor / PPC stand V type for VESA 75, 0~90 degree adjustable hinge and supports up to 2.5 kg |
| AFLP-CDB01/AFLP-CDW01 | VFD customized display (green) 5 x 7 dot matrix (black / white) |
| 63040-010060-030-RS | Adapter Power; FSP; FSP060-DBAE1; 9NA0603111; Active PFC; Vin: 90~264VAC; 60W; Dim:62 x 110 x 31.5mm; Plug=9.5mm; Cable=1500mm; Erp (NO LOAD 0.1W); Vout: 12VDC; Φ2.5/Φ5.5; CCL; RoHS |
| 63040-010060-060-RS | Adapter Power; FSP; FSP060-DBAE1; 9NA0603113; Active PFC; Vin:90~264VAC; 60W; Dim: 62mm x 110mm x 31.5mm; Cable=1200mm; Erp (NO LOAD 0.1W); Vout: 12VDC; Bare Wire; CCL; RoHS |

Packing List

| | |
|---|--|
| 1 | 1 x Utility CD includes application tools, SDK, and technical document |
| 1 | 1 x Null modem cable |

Ordering Information

| Part No. | Description |
|---------------------|--|
| IOVU-07F-AD-ET-R10 | 7" TFT-LCD; Freescale™ i.MX6 Cortex™-A9 Quad-Core 1.0 GHz CPU; CAN; Android 4.2 |
| IOVU-07F-AD-WBC-R10 | 7" TFT-LCD; Freescale™ i.MX6 Cortex™-A9 Quad-Core 1.0 GHz CPU; CAN; Wi-Fi/Bluetooth; Camera; Android 4.2 |



Vehicle PC



Industrial Automation



Home/Building Automation



Multimedia / Digital Signage

1

IEIMobile Solutions

2

Automation Panel Solutions

3

PACSmate Medical Solutions

4

Optional Peripherals